

# MCX Connector

MCX connectors are characterized by small dimensions, high reliability, long service life and easy and fast mounting. The reliable snap-on coupling mechanism can ensure the electrical parameters to be reproduced consistently. This series of connectors provide a low R.F leakage in R.F circuits.

## ◆ Features

Interface and quality tested according to IEC 60169-36.

Frequency range up to 6GHz

VSWR(straight connector):  $\leq 1.30$  typ.

Snap-on coupling mechanism

30% space reduction compared to SMB connectors

Fast and easy mounting.

## ◆ Applications

Cable connectors (straight and right angle) for flexible, semi-flex and semi-rigid cables

PCB connectors (straight and right angle)

Panel connectors in various flanges

Terminations

Adaptors

## Specifications

### Electrical Characteristics

Impedance	50 $\Omega$
Frequency range	0~6GHz
VSWR	$\leq 1.30$ typ.
Insulation resistance	$\geq 5000M\Omega$
Center contact resistance	$\leq 5.0m\Omega$
Outer contact resistance	$\leq 2.5m\Omega$
Withstand voltage	750 V rms
Working voltage	250V
RF-leakage(dB)	$\geq 55dB@1GHz$

### Mechanical Characteristics

Coupling torque	/
Coupling nut retention	8N~63N
Center contact captivation	10N
Center contact retention force	$\geq 0.28N$
Mating cycles	$\geq 500$

### Environmental Data



Specialized manufacturer of RF connector and RF cable assemblies

TEL:+86-519-88795138 FAX:+86-519-88522108

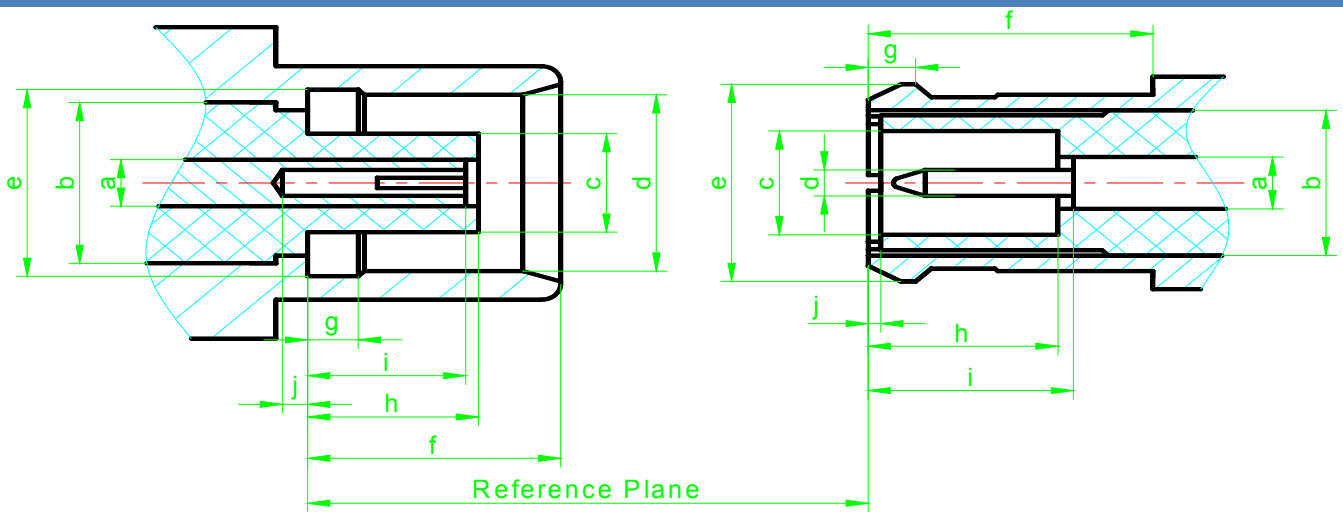
[www.xinsheng-elec.com](http://www.xinsheng-elec.com)

sales@xinsheng-elec.com

Temperature range	-55°C~+155°C
Moisture resistance	IEC 61169-1,Subclause9.4.3
Rapid change of temperature	IEC 61169-1,Subclause9.4.4
Vibration	IEC 61169-1,Subclause9.3.3
Shock	IEC 61169-1,Subclause9.3.14
Corrosion resistance	IEC 61169-1,Subclause9.4.6

Materials	
Body	CuZn/ Au plating
Outer contact	CuZn/CuSn/ Au plating
Center contact	CuZn/CuBe/ Au plating
Insulator	PTFE

## Interface Dimensions



MCX (50hm) Series				
Code	Male (Plug)		Female (Jack)	
	Min	Max	Min	Max
A	0.95 nom		0.95 nom	
B	3.05 nom		3.05 nom	
C	-	1.98	2	-
D	3.42	3.48	0.48	0.53
E	3.6	3.75	-	-
F	4	4.12	4.15	-
G	0.75	0.85	-	-
H	2.6	2.8	2.8	-
I	2.3	2.8	2.8	3.2
J	0	-	0	0.3

1) Contact diameters refer to 50 Ohm.  
2) Resilient, dim. to meet electrical and mechanical requirements  
3) All dimensions are in mm, tolerance according to ISO2768 m-H.

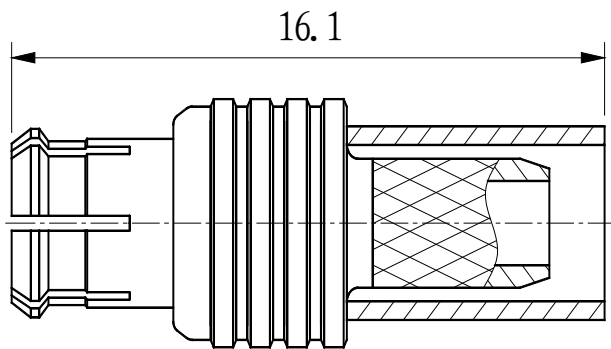


**Specialized manufacturer of RF connector and RF cable assemblies**

TEL:+86-519-88795138 FAX:+86-519-88522108

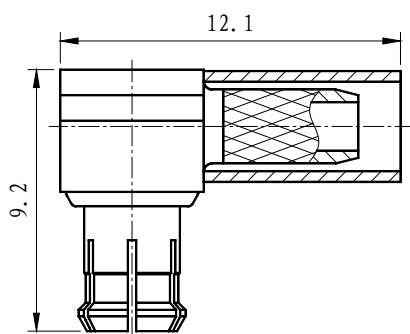
[www.xinsheng-elec.com](http://www.xinsheng-elec.com)

sales@xinsheng-elec.com



### MCX-C-J1.5

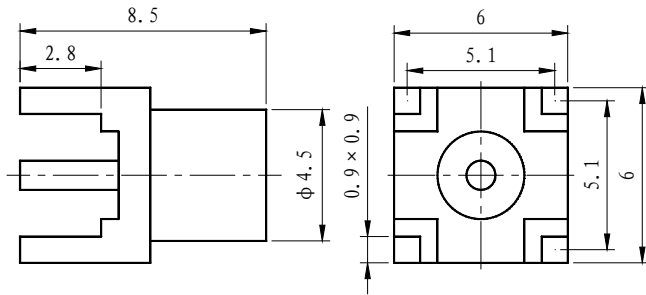
Part No:	
Inner conductor	Tin Bronze(Gold plated)
Outer conductor	Tin Bronze(Gold plated)
Insulator	PTFE



### MCX-C-JW1.5

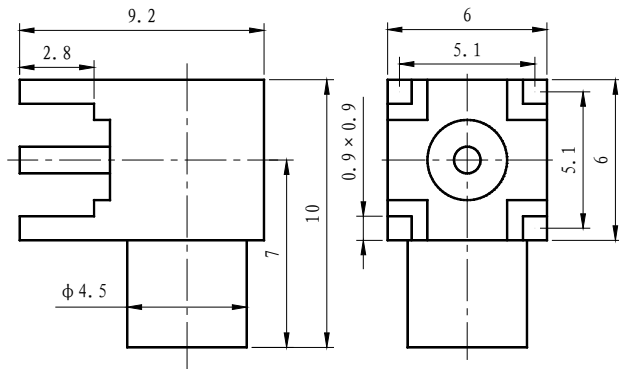
Part No:	5090001
Inner conductor	Tin Bronze(Gold plated)
Outer conductor	Brass(Gold plated)
Insulator	PTFE

## Microstrip Connector



### MCX-KHD

Part No:	
Inner conductor	Beryllium Bronze(Gold plated)
Outer conductor	Brass(Gold plated)
Insulator	PTFE



### MCX-KWHD

Part No:	
Inner conductor	Beryllium Bronze(Gold plated)
Outer conductor	Brass(Gold plated)
Insulator	PTFE