

# BNC Connector

BNC connectors are bayonet-coupling popular coaxial connectors with the excellent performances of rapid and easy connections and high reliability. They are commonly used and widespread connector series for data system and telecom applications.

## ◆ Features

Interface and quality tested according to IEC 60169-8

Frequency range up to 4GHz, max. up to 10GHz

VSWR(straight connector):  $\leq 1.25$  typ.

Bayonet coupling mechanism

Intermateable with BNC, 75Ω version.

## ◆ Applications

Cable connectors (straight and right angle) for flexible, semi-flex and semi-rigid cables

PCB connectors (straight and right angle)

Panel connectors in various flanges

Terminations

Adaptors

## Specifications

### Electrical Characteristics

Impedance	50 Ω/75 Ω
Frequency range	0~4GHz
VSWR	$\leq 1.25$ typ.
Insulation resistance	$\geq 5000\text{M}\Omega$
Center contact resistance	$\leq 1.5\text{m}\Omega$
Outer contact resistance	$\leq 1\text{ m}\Omega$
Withstand voltage	1500 V rms
Working voltage	400V
RF-leakage(dB)	$\geq 55\text{dB}@2\text{GHz}$

### Mechanical Characteristics

Coupling torque	0.07Nm~0.25Nm
Coupling nut retention	/
Center contact captivation	27N
Center contact retention force	$\geq 0.56\text{N}$
Mating cycles	$\geq 500$



Specialized manufacturer of RF connector and RF cable assemblies

TEL:+86-519-88795138 FAX:+86-519-88522108

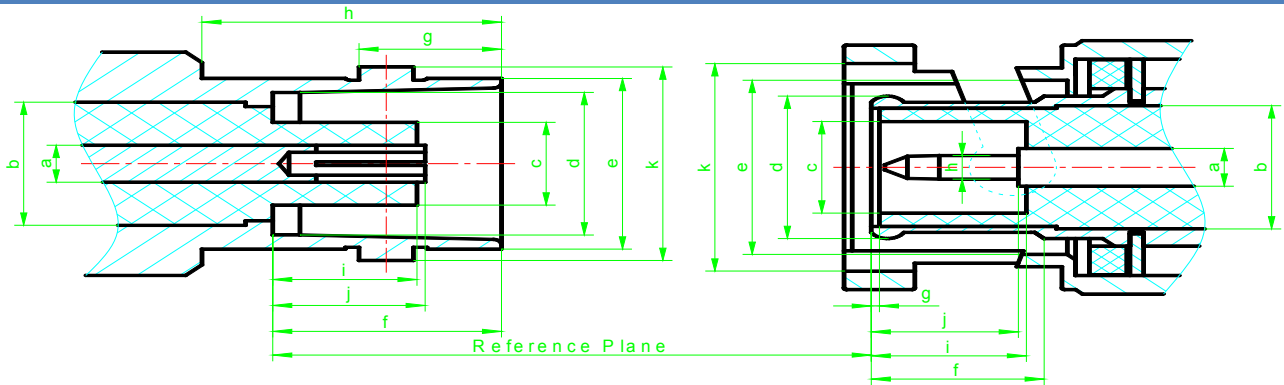
[www.xinsheng-elec.com](http://www.xinsheng-elec.com)

sales@xinsheng-elec.com

Environmental Data	
Temperature range	-55°C~+155°C
Moisture resistance	IEC 61169-1,Subclause9.4.3
Rapid change of temperature	IEC 61169-1,Subclause9.4.4
Vibration	IEC 61169-1,Subclause9.3.3
Shock	IEC 61169-1,Subclause9.3.14
Corrosion resistance	IEC 61169-1,Subclause9.4.6

Materials	
Body	CuZn/ Ni plating
Outer contact	CuZN/ Ni/Au plating
Center contact	CuZn/CuSn/ Au plating
Insulator	PTFE

## Interface Dimensions



BNC(50ohm) Series				
Code	Male (Plug)		Female (Jack)	
	Min	Max	Min	Max
A	2.14 nom		2.14 nom	
B	7.00 nom		7.00 nom	
C	-	4.72	4.83	-
D	8.1	8.15	-	-
E	9.6	9.7	9.78	9.91
F	8.31	8.51	5.38	
G	5.18	5.28	0.15	-
H	10.52	-	1.32	1.37
I	-	5.28	5.28	-
J	4.55	5.23	5.33	-
K	10.97	11.07	11.76	-

- 1) Contact diameters refer to 50 Ohm.
- 2) Resilient, dim. to meet electrical and mechanical requirements
- 3) All dimensions are in mm, tolerance according to ISO2768 m-H.

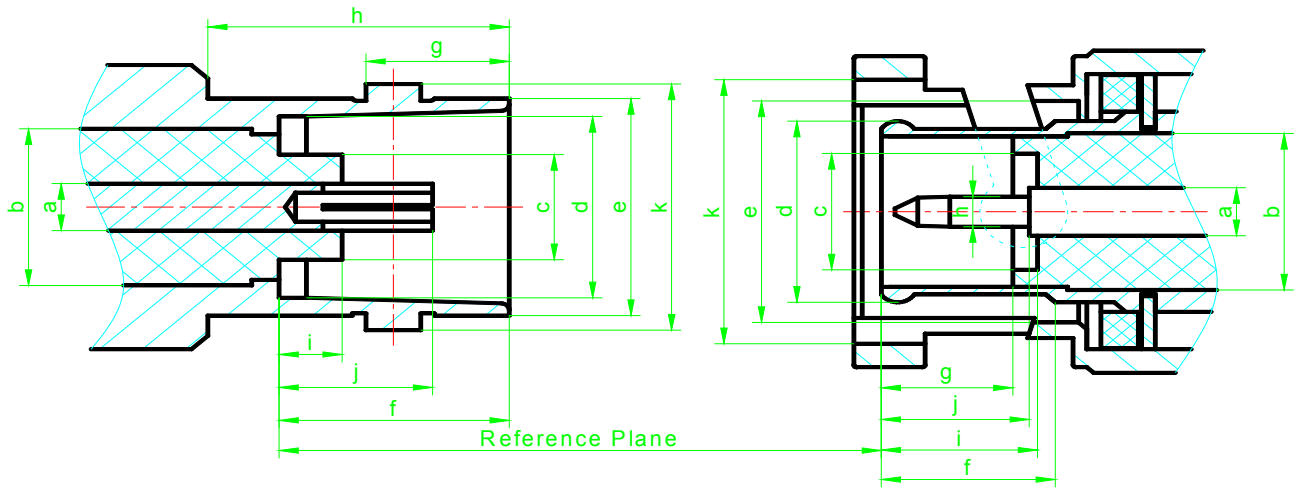


**Specialized manufacturer of RF connector and RF cable assemblies**

TEL:+86-519-88795138 FAX:+86-519-88522108

[www.xinsheng-elec.com](http://www.xinsheng-elec.com)

sales@xinsheng-elec.com



BNC(75ohm) Series				
Code	Male (Plug)		Female (Jack)	
	Min	Max	Min	Max
A	2.14 nom		2.14 nom	
B	7.00 nom		7.00 nom	
C	-	4.72	4.83	-
D	8.1	8.15	-	-
E	9.6	9.7	9.78	9.91
F	8.31	8.51	5.38	
G	5.18	5.28	4.3	5.3
H	10.52	-	1.32	1.37
I	-	2.31	5.28	-
J	4.55	5.23	5.33	-
K	10.97	11.07	11.76	-

1) Contact diameters refer to 75 Ohm.

2) Resilient, dim. to meet electrical and mechanical requirements

3) All dimensions are in mm, tolerance according to ISO2768 m-H.



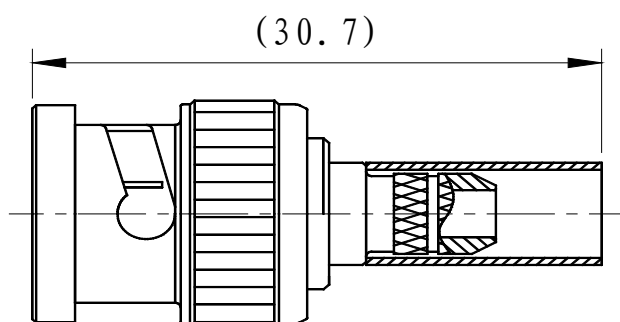
Specialized manufacturer of RF connector and RF cable assemblies

TEL:+86-519-88795138 FAX:+86-519-88522108

[www.xinsheng-elec.com](http://www.xinsheng-elec.com)

sales@xinsheng-elec.com

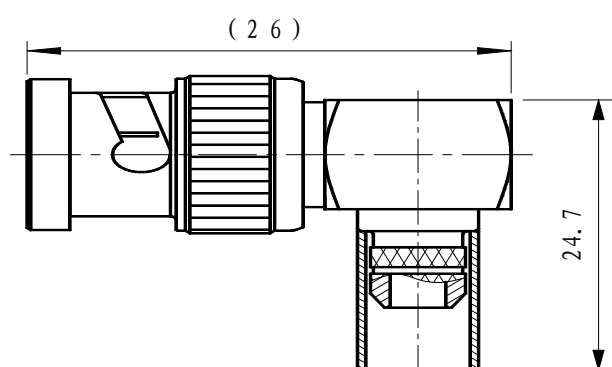
## Cable Connectors



### BNC-J5-01

Part No: 5040152

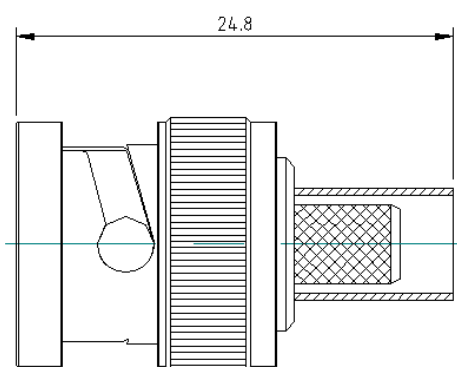
Inner conductor	Brass(Gold plated)
Outer conductor	Brass(Nickel plated)
Insulator	PTFE



### BNC-JW5-01

Part No: 5040150

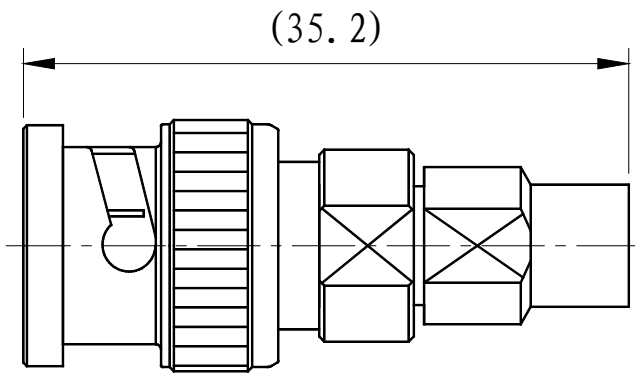
Inner conductor	Brass(Gold plated)
Outer conductor	Brass(Nickel plated)
Insulator	PTFE



### BNC-JRG174

Part No: 5040129

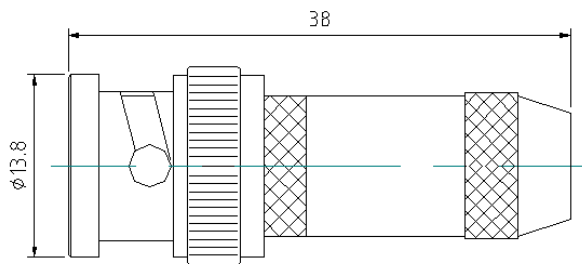
Inner conductor	Brass(Gold plated)
Outer conductor	Brass(Nickel plated)
Insulator	PTFE



### BNC-J142

Part No: 5040158

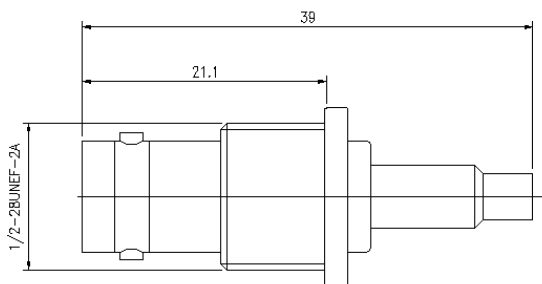
Inner conductor	Brass(Gold plated)
Outer conductor	Brass(Nickel plated)
Insulator	PTFE



### BNC-JC2003

Part No: 5040120

Inner conductor	Brass(Gold plated)
Outer conductor	Brass(Nickel plated)
Insulator	PTFE

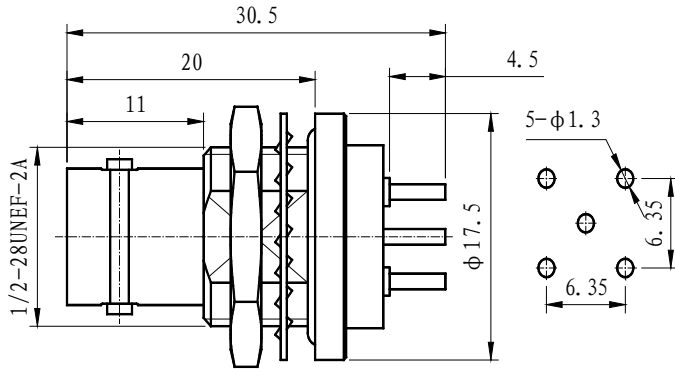


### BNC-KRG174

Part No: 5040130

Inner conductor	Brass(Gold plated)
Outer conductor	Brass(Nickel plated)
Insulator	PTFE

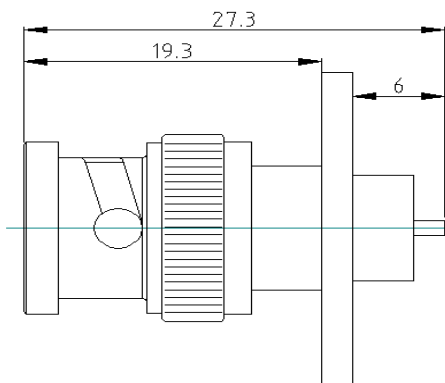
## Microstrip Connector



### BNC-KYHD

Part No: 5040113

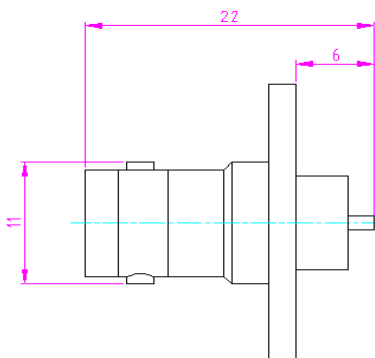
Inner conductor Tin Bronze(Gold plated)  
Outer conductor Brass(Nickel plated)  
Insulator PTFE



### BNC-75JFD-2

Part No: 5040095

Inner conductor Brass(Gold plated)  
Outer conductor Brass(Nickel plated)  
Insulator PTFE

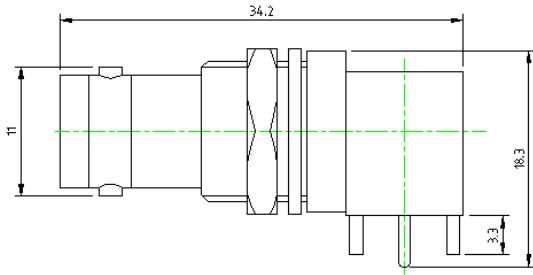


### BNC-75KFD-2

Part No: 5040094

Inner conductor Brass(Gold plated)  
Outer conductor Brass(Nickel plated)  
Insulator PTFE

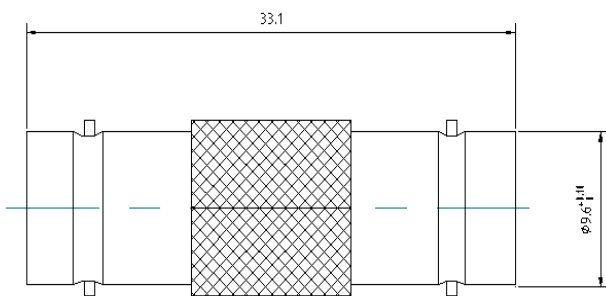
## BNC-75KWHD



Part No: 5040091

Inner conductor Brass(Gold plated)  
Outer conductor Brass(Nickel plated)  
Insulator PTFE

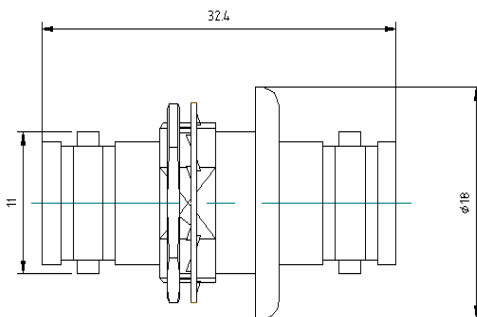
## Adapters



## BNC-KK

Part No: 5040052

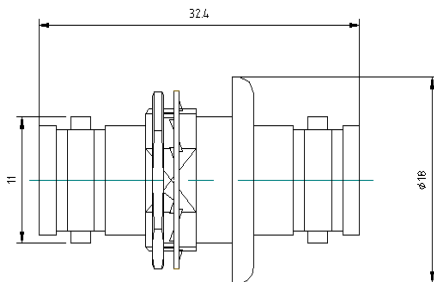
Inner conductor Brass(Gold plated)  
Outer conductor Brass(Nickel plated)  
Insulator PTFE



## BNC-KKY

Part No: 5040055

Inner conductor Tin Bronze(Gold plated)  
Outer conductor Brass(Nickel plated)  
Insulator PTFE



## BNC-75KKY

Part No: 5040157

Inner conductor Tin Bronze(Gold plated)  
Outer conductor Brass(Nickel plated)  
Insulator PTFE



Specialized manufacturer of RF connector and RF cable assemblies

TEL:+86-519-88795138 FAX:+86-519-88522108

[www.xinsheng-elec.com](http://www.xinsheng-elec.com)

[sales@xinsheng-elec.com](mailto:sales@xinsheng-elec.com)